

## SYMETRICS Deck-mounted basin spout with pop-up waste - Chrome

---

13 710 740



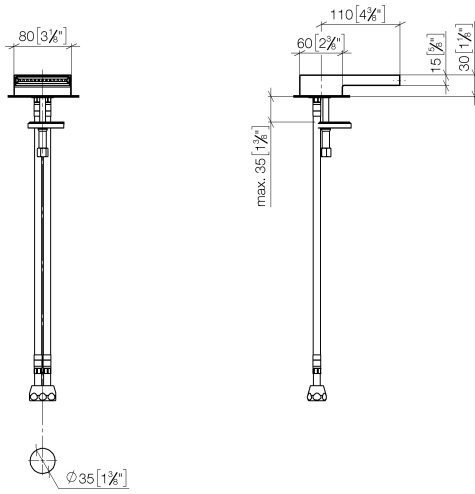
- 110mm projection
- fixed spout
- PEARLSTREAM
- height of mixer 30 mm
- height up to aerator 15 mm
- hole diameter 35 mm
- 2x screw-in M 10 x 1 pressure hose, leak-tested
- 1/2" connection
- max. flow 5 l/min
- lead-free

Only suitable for basins with an overflow.

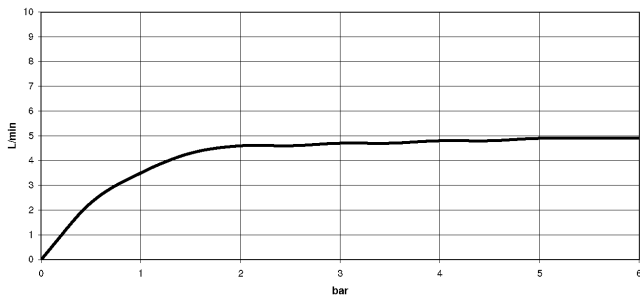
**SYMETRICS Deck-mounted basin spout with pop-up waste - Chrome**

13 710 740

mm [inches]



**Flow rate chart**

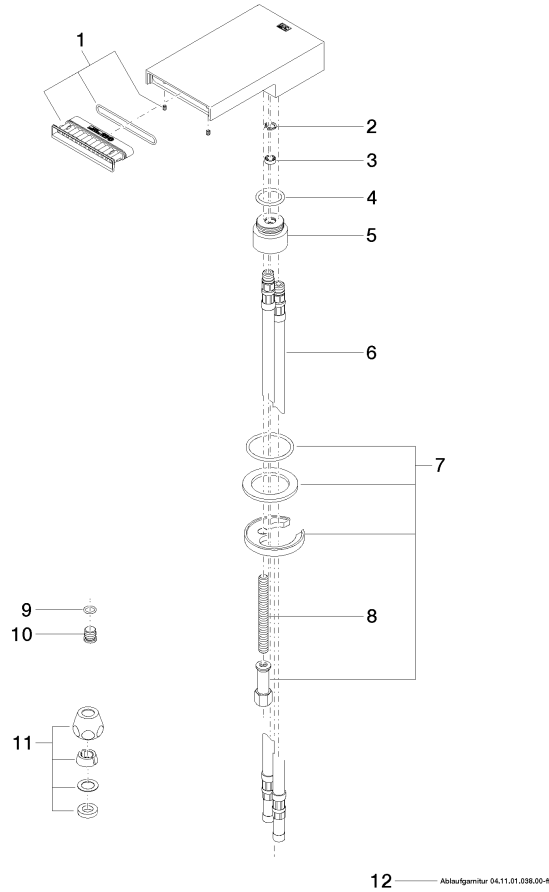


**Codes & Standards**

NSF/ANSI 372

**SYMETRICS Deck-mounted basin spout with pop-up waste - Chrome**

13 710 740



**Spare parts list**

No.	Item Number	Name	Quantity used	Delivery time
1	90 29 03 065 00 90	insert	1	2
2	09 16 01 016 90	ring	1	2
3	09 23 01 033 90	flow reducer	1	2
4	09 14 10 100 90	seal	1	2
5	09 11 10 093 90	connection	1	2
6	04 30 04 016 00 90	hose	2	60
7	04 30 11 038 74 90	fixing set	1	2
8	09 31 11 011 90	pin	1	2
9	90 14 10 060 00 90	seal	1	2
10	09 31 20 065 90	plug	1	2
11	90 23 30 040 00-00	threaded connector	1	10
12	10 125 970-00	Basin Waste with push fastening 1 1/4" - Chrome	1	2